

swf

STEEL WINDOW FITTINGS



Door Handles & Accessories



Steel Window Fittings' range of door handles are crafted with external and internal doors in mind.

Three versatile styles of lever are available in a lever-lever configuration for multipoint locking capability.

All door handles are engineered with 'no drooping' technology to ensure a comfortable grip and like-new operation.

B850 Door Handles		Pages 4 - 11
B860 Door Handles		Pages 12 - 19
B870 Door Handles		Pages 20 - 27
1040 Door Handles		Pages 28 - 35
1080 Door Handles		Pages 36 - 43
1090 Door Handles		Pages 44 - 51
Escutcheons and Dummy Spindles		Pages 52 - 57

Contents



B1080 in Antique Black, B1040 in Antique Brass, B1090 in ORB

swf

STEEL WINDOW FITTINGS

850

Door Handles

The 850 is a gently curved lever that is suitable for all styles of property.

Find Matching Escutcheons on page 52.



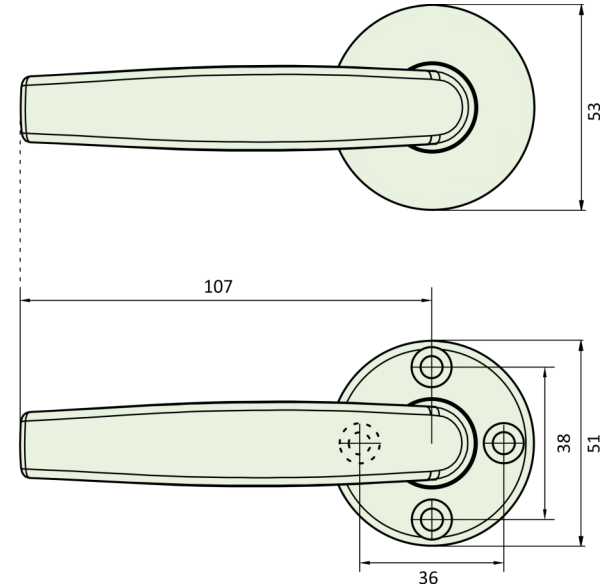
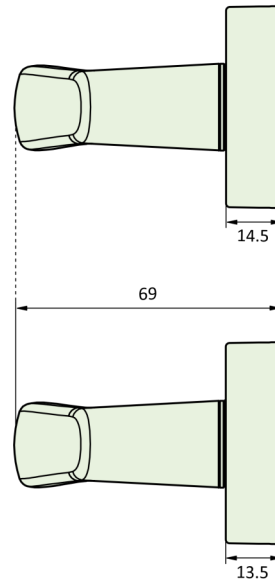




PRODUCT FEATURES & TECHNICAL INFORMATION

- An elegant 'Lever-Lever' door handle with finish matching backplate covers that conceal the fixing screws and backplate.
- 4 independent springs ensures correct horizontal position of lever and a 8mm spindle secured with a grub screw clamps both handles together securely.
- B851ROSE Euro Cylinder or B852ROSE Key escutcheons available enabling a wide range of applications to include multipoint, traditional external locks & internal latches.
- Available on our full range of backplates to elevate your property.
- Available in several finishes or matching RAL finish on request.
- M5 fixing holes.
- Taylors Spindle available to fix the handle in a horizontal or vertical position.
- Complimentary window furniture available for suited look.

B850ROSE Lever Door Handle



B850ROSE

Dimensions



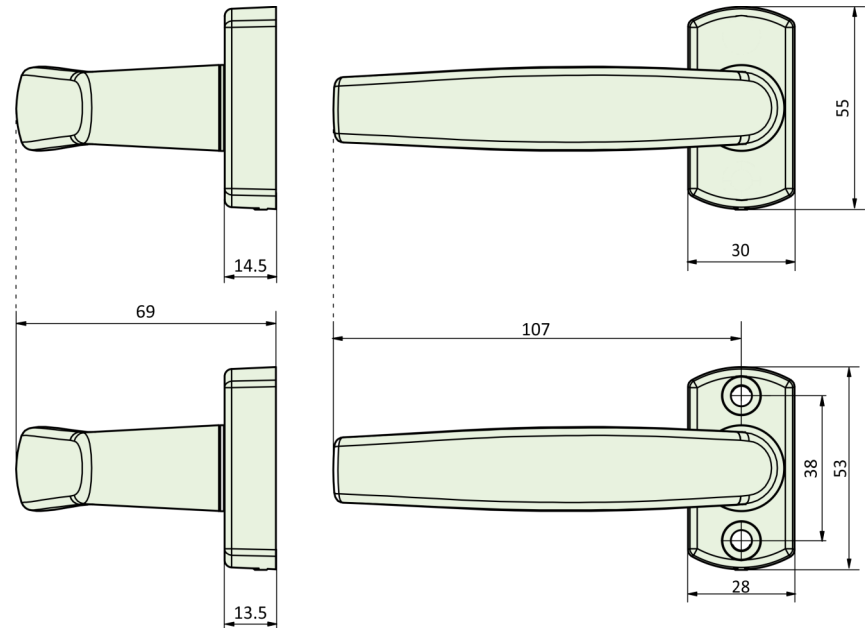
B850 Lever Door Handle



B850 Oblong

PRODUCT FEATURES & TECHNICAL INFORMATION

- An elegant 'Lever-Lever' door handle with finish matching backplate covers that conceal the fixing screws and backplate.
- 4 independent springs ensures correct horizontal position of lever and a 8mm spindle secured with a grub screw clamps both handles together securely.
- B851 Euro Cylinder or B852 Key escutcheons available enabling a wide range of applications to include multipoint, traditional external locks & internal latches.
- Available on our full range of backplates to elevate your property.
- Available in several finishes or matching RAL finish on request.
- M5 fixing holes.
- Taylors Spindle available to fix the handle in a horizontal or vertical position.
- Complimentary window furniture available for suited look.



Dimensions

swf

STEEL WINDOW FITTINGS

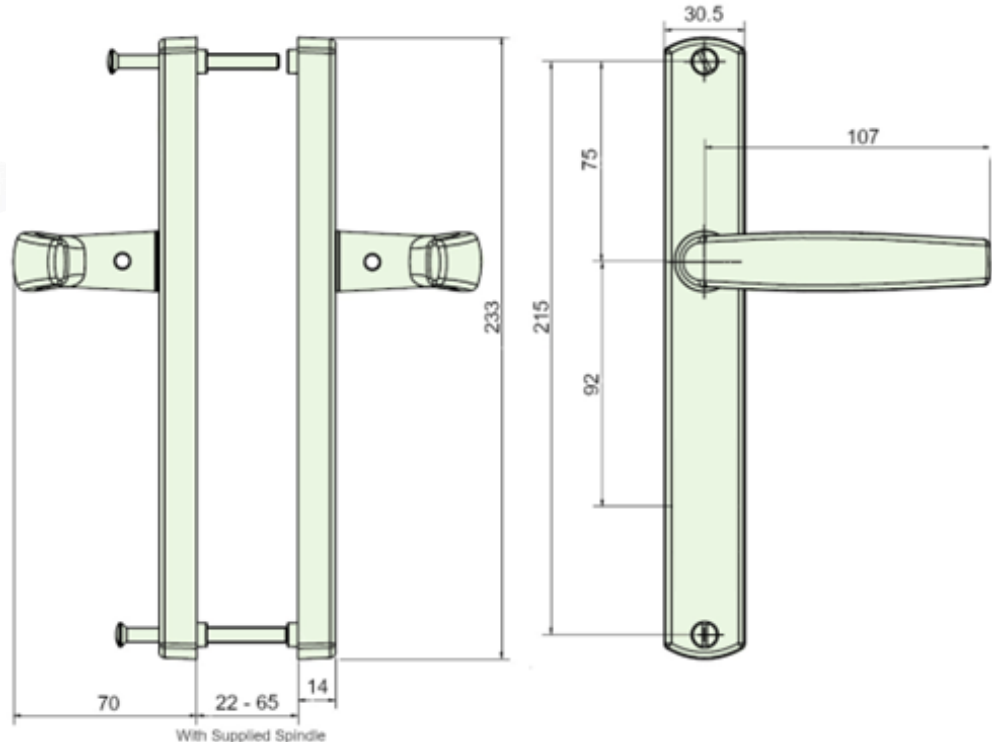
B850LONG Lever Door Handle



B850LONGBL

PRODUCT FEATURES & TECHNICAL INFORMATION

- An elegant 'Lever-Lever' door handle with 92mm centre.
- Available on our full range of backplates to elevate your property.
- 4 independent springs ensures correct horizontal position of lever and a 8mm spindle secured with a grub screw clamps both handles together securely.
- Available with blank or cylinder combination of face plate.
- Taylors Spindle available to fix the handle in a horizontal or vertical position.
- Bolt through fixings for security.
- Complimentary window furniture available for suited look.
- Available in several finishes or matching RAL finishes on request



DIMENSIONS

swf

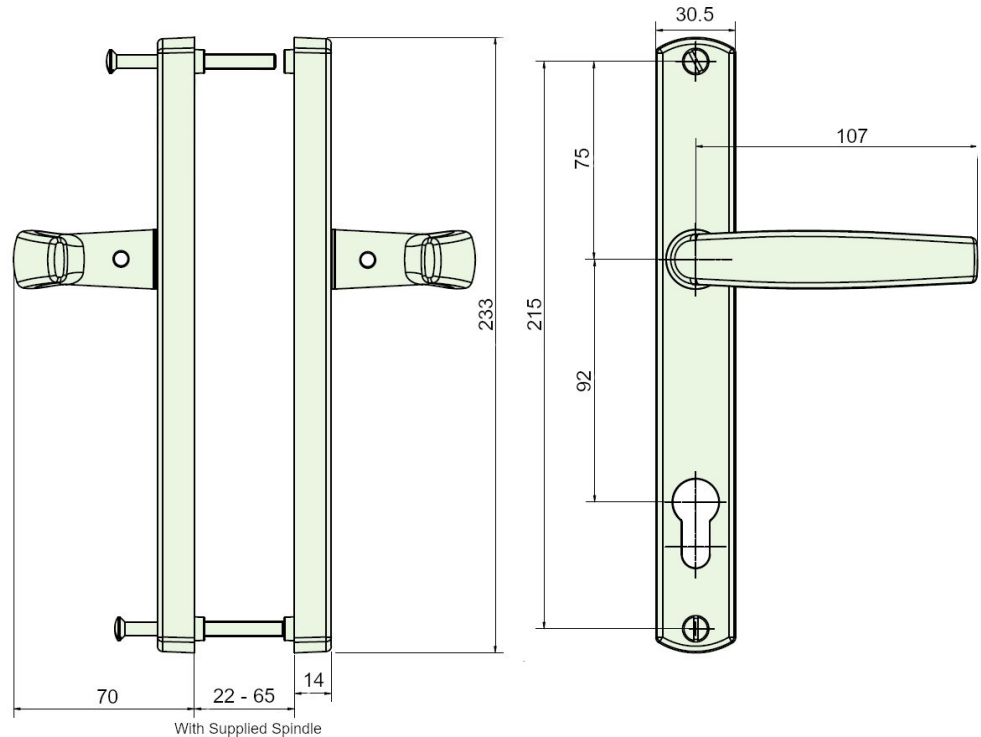
STEEL WINDOW FITTINGS



B850LONGCYBL

PRODUCT FEATURES & TECHNICAL INFORMATION

- An elegant 'Lever-Lever' door handle with 92mm centre.
- Available on our full range of backplates to elevate your property.
- 4 independent springs ensures correct horizontal position of lever and a 8mm spindle secured with a grub screw clamps both handles together securely.
- Available with blank or cylinder combination of face plate.
- Taylors Spindle available to fix the handle in a horizontal or vertical position.
- Bolt through fixings for security.
- Complimentary window furniture available for suited look.
- Available in several finishes or matching RAL finishes on request





STEEL WINDOW FITTINGS

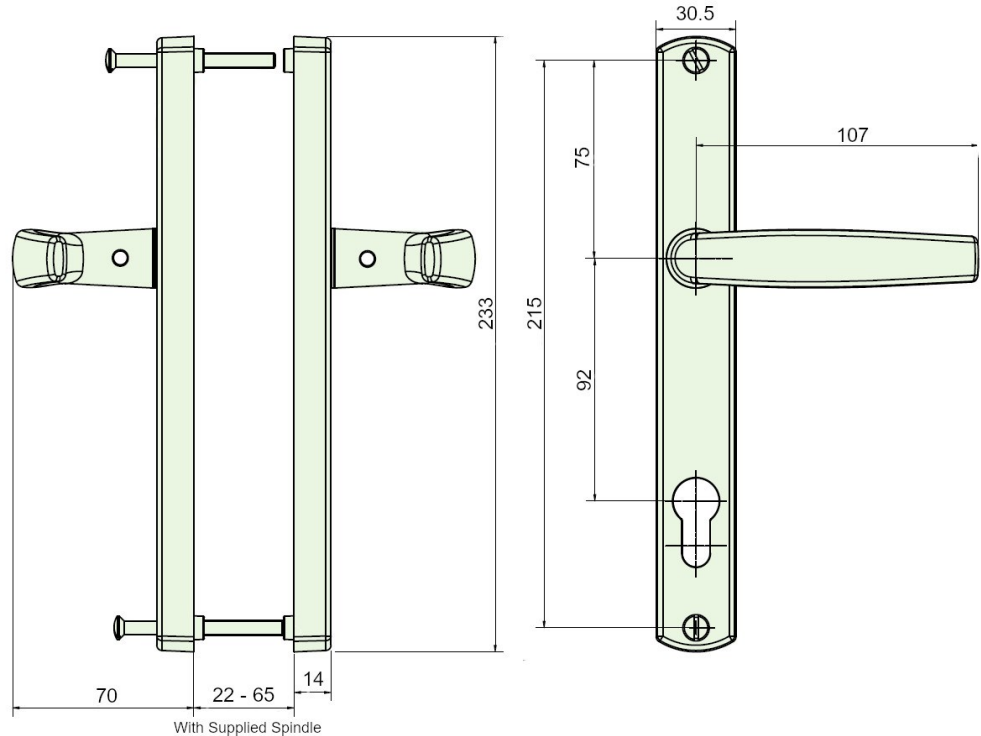
B850LONG Lever Door Handle



B850LONGCY

PRODUCT FEATURES & TECHNICAL INFORMATION

- An elegant 'Lever-Lever' door handle with 92mm centre.
- Available on our full range of backplates to elevate your property.
- 4 independent springs ensures correct horizontal position of lever and a 8mm spindle secured with a grub screw clamps both handles together securely.
- Available with blank or cylinder combination of face plate.
- Taylors Spindle available to fix the handle in a horizontal or vertical position.
- Bolt through fixings for security.
- Complimentary window furniture available for suited look.
- Available in several finishes or matching RAL finishes on request



The logo consists of the lowercase letters 'swf' in a bold, sans-serif font, enclosed within a light green square frame that is slightly tilted.

STEEL WINDOW FITTINGS

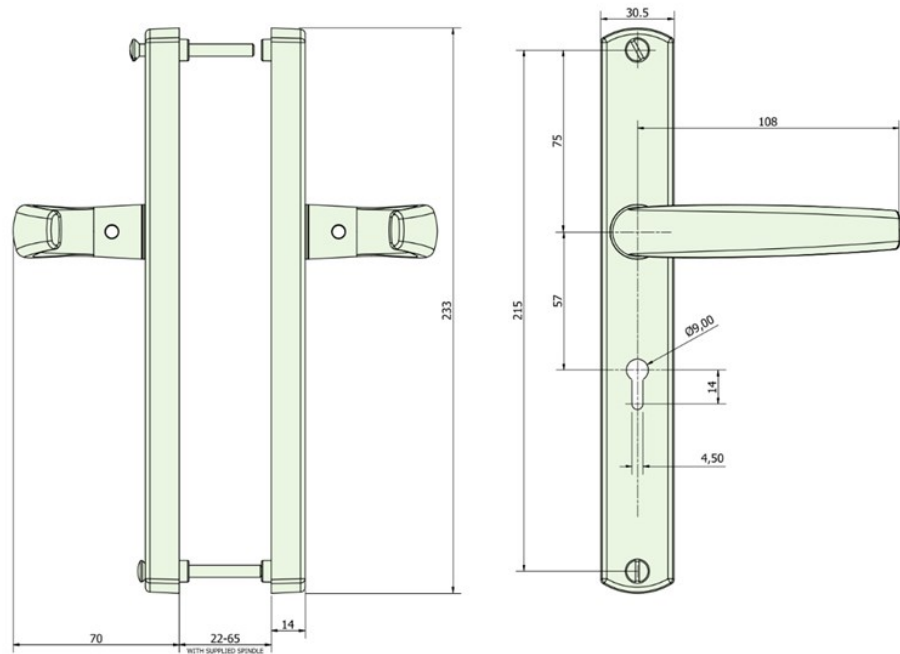
B850LONGML Lever Door Handle



B850LONGML

PRODUCT FEATURES & TECHNICAL INFORMATION

- An elegant 'Lever-Lever' door handle with 57mm centre.
- Available on our full range of backplates to elevate your property.
- 4 independent springs ensures correct horizontal position of lever and a 8mm spindle secured with a grub screw clamps both handles together firmly.
- Complete with a mortice keyhole configuration
- Taylors Spindle available to fix the handle in a horizontal or vertical position.
- Bolt through fixings for security.
- Complimentary window furniture available for suited look.
- Available in several finishes or matching RAL finishes on request



Dimensions

swf

STEEL WINDOW FITTINGS

860

Door Handles

A style of lever is adaptable —suitable for contemporary and traditional styled buildings or homes.

Find Matching Escutcheons on page 52.







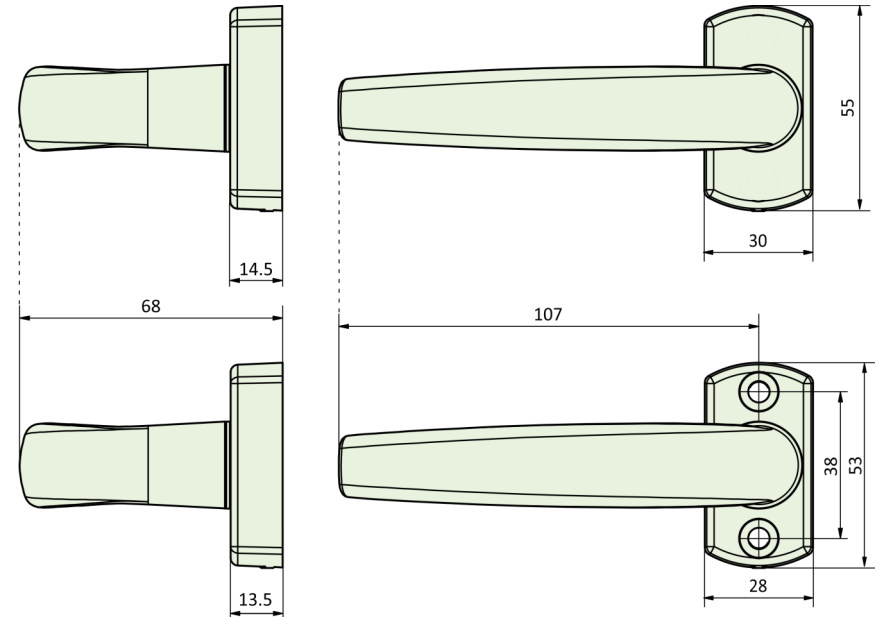
B860 Lever Door Handle

PRODUCT FEATURES & TECHNICAL INFORMATION

- An elegant 'Lever-Lever' door handle with finish matching backplate covers that conceal the fixing screws and backplate.
- 4 independent springs ensures correct horizontal position of lever and a 8mm spindle secured with a grub screw clamps both handles together securely.
- B851 Euro Cylinder or B852 Key escutcheons available enabling a wide range of applications to include multipoint, traditional external locks & internal latches.
- Available on our full range of backplates to elevate your property.
- Available in several finishes or matching RAL finish on request. M5 fixing holes.
- Taylors Spindle available to fix the handle in a horizontal or vertical position.
- Complimentary window furniture available for suited look.



B860 Oblong



Dimensions



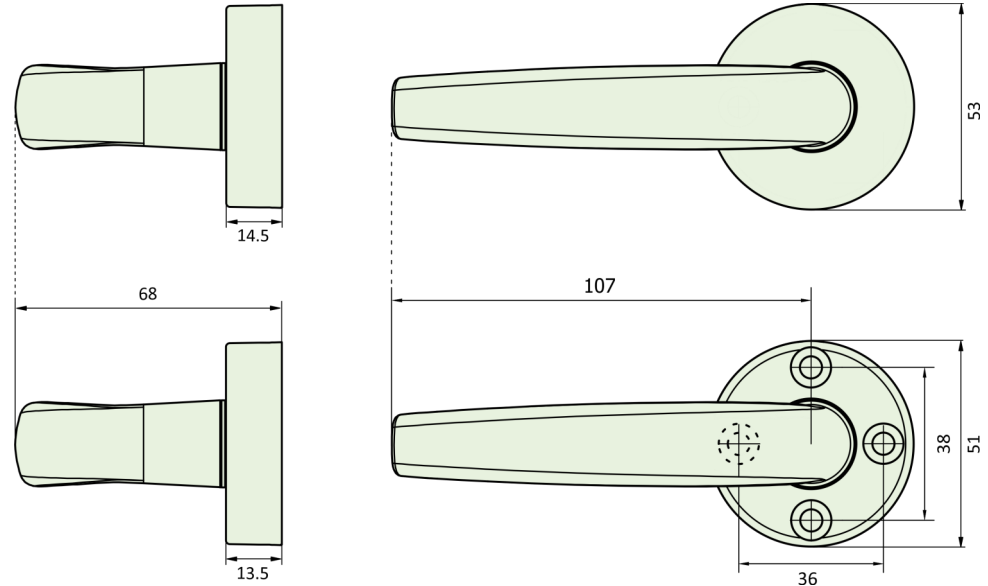
B860ROSE Lever Door Handle



B860ROSE

PRODUCT FEATURES & TECHNICAL INFORMATION

- An elegant 'Lever-Lever' door handle with finish matching backplate covers that conceal the fixing screws and backplate.
- 4 independent springs ensures correct horizontal position of lever and a 8mm spindle secured with a grub screw clamps both handles together securely.
- B851ROSE Euro Cylinder or B852ROSE Key escutcheons available enabling a wide range of applications to include multipoint, traditional external locks & internal latches.
- Available on our full range of backplates to elevate your property.
- Available in several finishes or matching RAL finish on request. M5 fixing holes.
- Taylors Spindle available to fix the handle in a horizontal or vertical position.
- Complimentary window furniture available for suited look.



Dimensions

swf

STEEL WINDOW FITTINGS

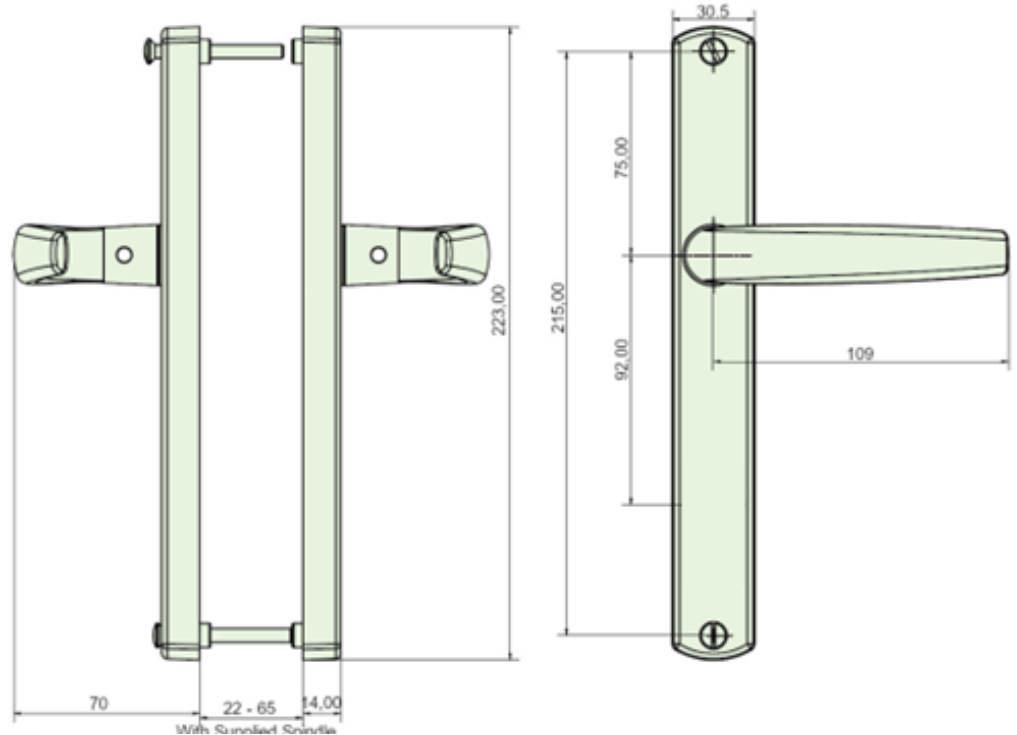
PRODUCT FEATURES & TECHNICAL INFORMATION

- An elegant 'Lever-Lever' door handle with 92mm centre.
- Available on our full range of backplates to elevate your property.
- 4 independent springs ensures correct horizontal position of lever and a 8mm spindle secured with a grub screw clamps both handles together securely.
- Available with blank or cylinder combination of face plate.
- Taylors Spindle available to fix the handle in a horizontal or vertical position.
- Bolt through fixings for security.
- Complimentary window furniture available for suited look.
- Available in several finishes or matching RAL finishes on request



B860LONG Lever Door Handle

B860LONGBL



Dimensions

The logo consists of the lowercase letters 'swf' in a bold, green, sans-serif font, enclosed within a light green square frame that is slightly tilted.

STEEL WINDOW FITTINGS

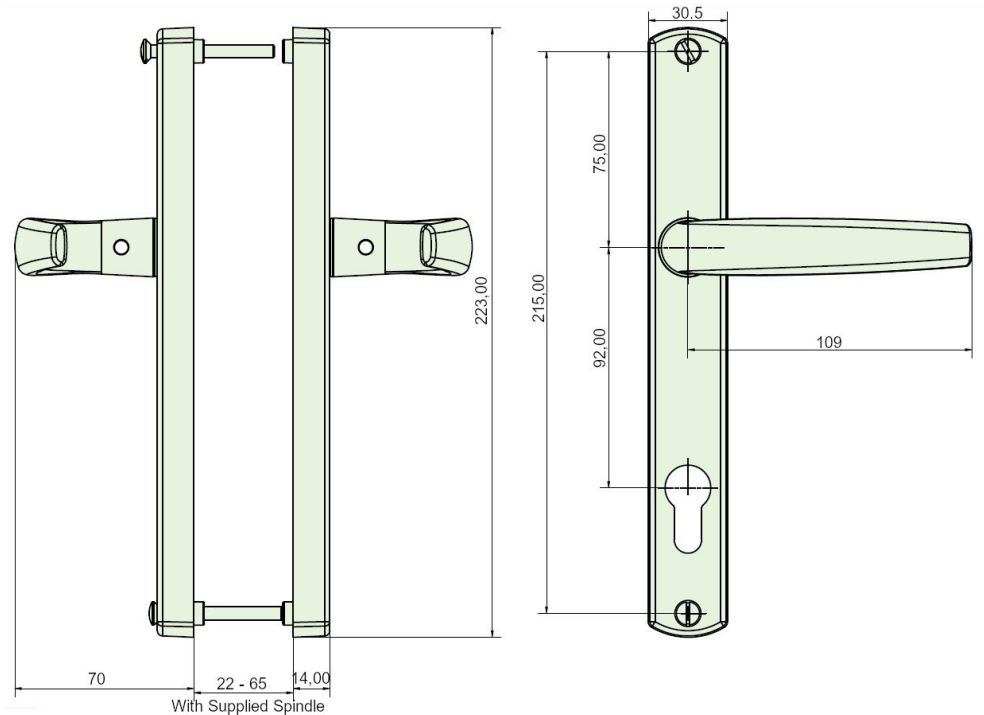
B860LONG Lever Door Handle



B860LONGCYBL

PRODUCT FEATURES & TECHNICAL INFORMATION

- An elegant 'Lever-Lever' door handle with 92mm centre.
- Available on our full range of backplates to elevate your property.
- 4 independent springs ensures correct horizontal position of lever and a 8mm spindle secured with a grub screw clamps both handles together securely.
- Available with blank or cylinder combination of face plate.
- Taylors Spindle available to fix the handle in a horizontal or vertical position.
- Bolt through fixings for security.
- Complimentary window furniture available for suited look.
- Available in several finishes or matching RAL finishes on request



Dimensions

The logo for 'swf' is displayed in a stylized, lowercase font within a light green square frame.

STEEL WINDOW FITTINGS

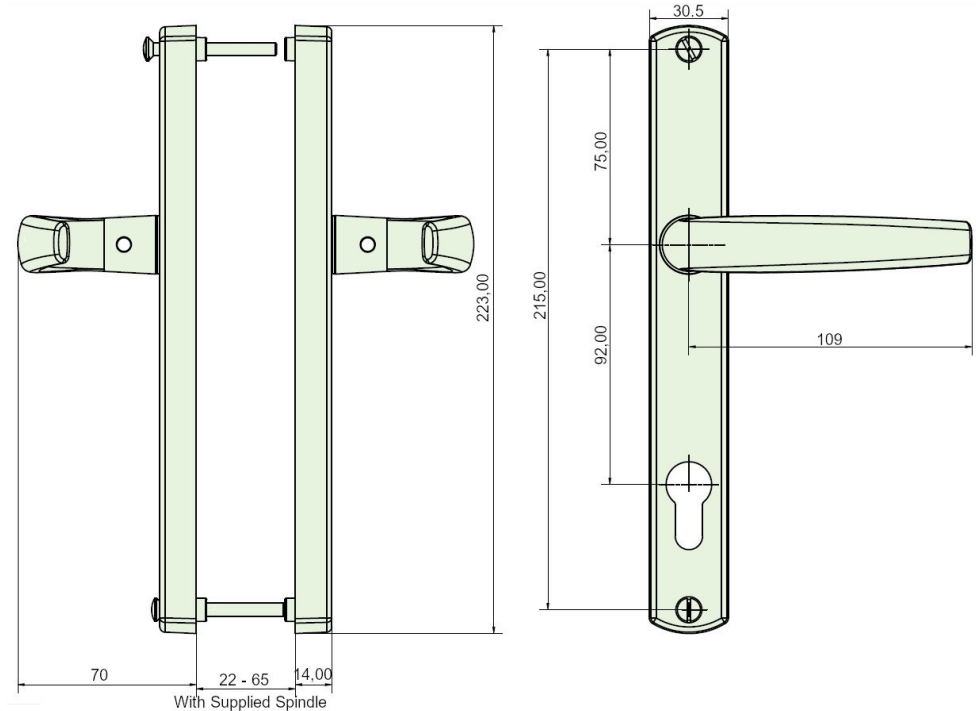
B860LONG Lever Door Handle



B860LONGCY

PRODUCT FEATURES & TECHNICAL INFORMATION

- An elegant 'Lever-Lever' door handle with 92mm centre.
- Available on our full range of backplates to elevate your property.
- 4 independent springs ensures correct horizontal position of lever and a 8mm spindle secured with a grub screw clamps both handles together securely.
- Available with blank or cylinder combination of face plate.
- Taylors Spindle available to fix the handle in a horizontal or vertical position.
- Bolt through fixings for security.
- Complimentary window furniture available for suited look.
- Available in several finishes or matching RAL finishes on request



Dimensions



STEEL WINDOW FITTINGS

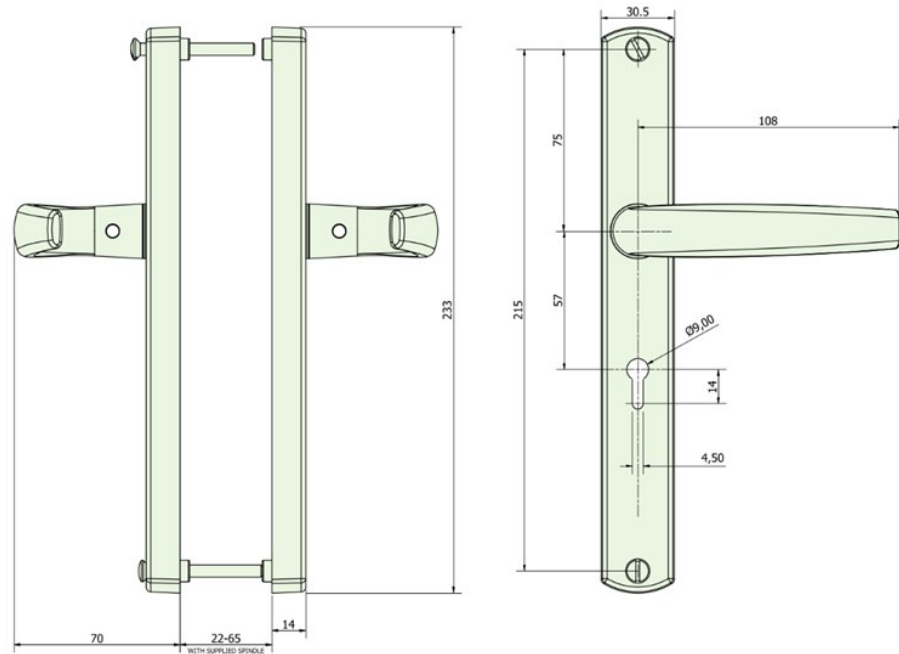
B860LONGML Lever Door Handle



B860LONGML

PRODUCT FEATURES & TECHNICAL INFORMATION

- An elegant 'Lever-Lever' door handle with 57mm centre.
- Available on our full range of backplates to elevate your property.
- 4 independent springs ensures correct horizontal position of lever and a 8mm spindle secured with a grub screw clamps both handles together firmly.
- Complete with a mortice keyhole configuration
- Taylors Spindle available to fix the handle in a horizontal or vertical position.
- Bolt through fixings for security.
- Complimentary window furniture available for suited look.
- Available in several finishes or matching RAL finishes on request



Dimensions

swf

STEEL WINDOW FITTINGS

870

Door Handles

A contemporary design, the 870 lever is a slender handle that compliments industrial or modern architecture.

Find Matching escutcheons on page 52.



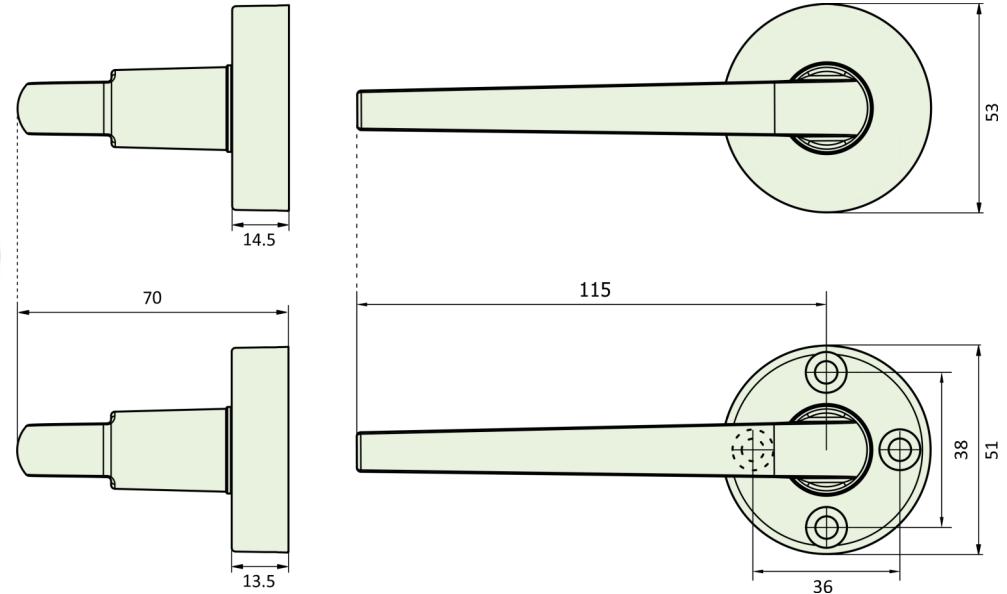




PRODUCT FEATURES & TECHNICAL INFORMATION

- An elegant 'Lever-Lever' door handle with finish matching backplate covers that conceal the fixing screws and backplate.
- 4 independent springs ensures correct horizontal position of lever and a 8mm spindle secured with a grub screw clamps both handles together securely.
- B851ROSE Euro Cylinder or B852ROSE Key escutcheons available enabling a wide range of applications to include multipoint, traditional external locks & internal latches.
- Available on our full range of backplates to elevate your property.
- Available in several finishes or matching RAL finish on request. M5 fixing holes.
- Taylors Spindle available to fix the handle in a horizontal or vertical position.
- Complimentary window furniture available for suited look.

B870ROSE Lever Door Handle



B870ROSE

Dimensions



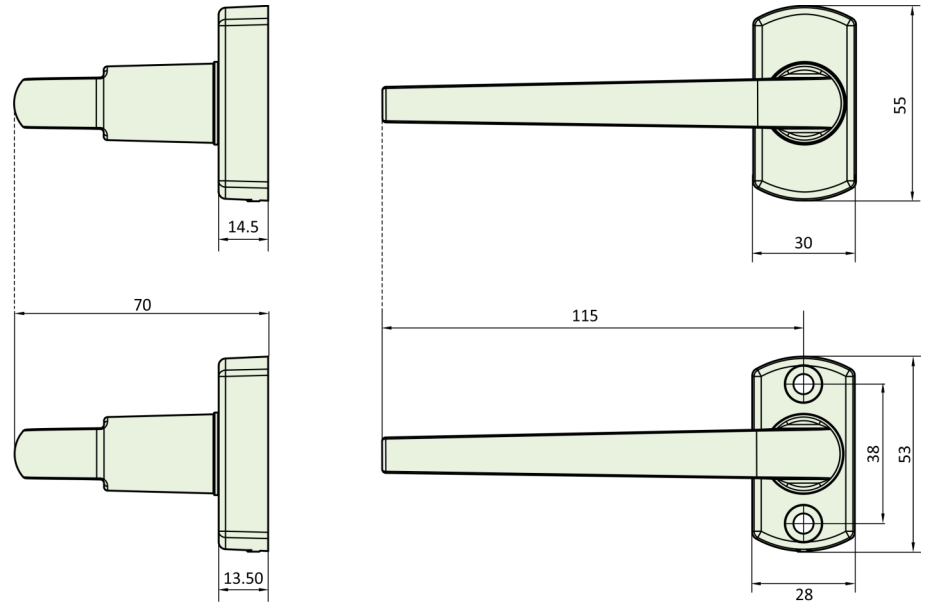
PRODUCT FEATURES & TECHNICAL INFORMATION

- An elegant 'Lever-Lever' door handle with finish matching backplate covers that conceal the fixing screws and backplate.
- 4 independent springs ensures correct horizontal position of lever and a 8mm spindle secured with a grub screw clamps both handles together securely.
- B851 Euro Cylinder or B852 Key escutcheons available enabling a wide range of applications to include multipoint, traditional external locks & internal latches.
- Available on our full range of backplates to elevate your property.
- Available in several finishes or matching RAL finish on request. M5 fixing holes.
- Taylors Spindle available to fix the handle in a horizontal or vertical position.
- Complimentary window furniture available for suited look.

B870 Lever Door Handle



B870 Oblong



Dimensions

The logo consists of the lowercase letters 'swf' in a bold, sans-serif font, enclosed within a light green square frame that is slightly tilted.

STEEL WINDOW FITTINGS

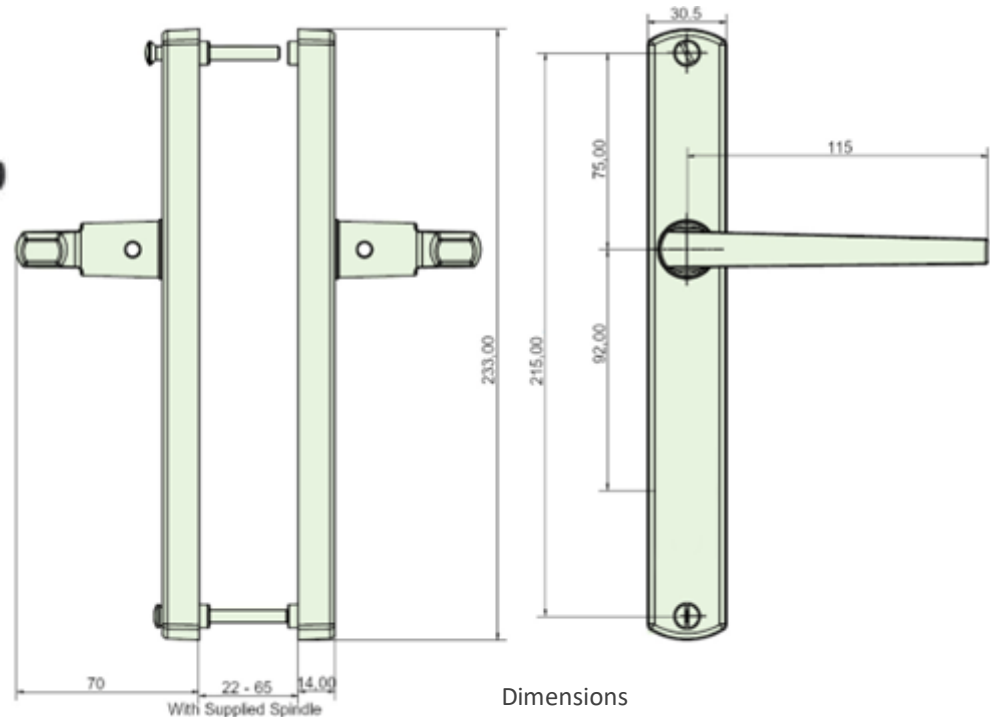
B870LONG Lever Door Handle



B870LONGBL

PRODUCT FEATURES & TECHNICAL INFORMATION

- An elegant 'Lever-Lever' door handle with 92mm centre.
- Available on our full range of backplates to elevate your property.
- 4 independent springs ensures correct horizontal position of lever and a 8mm spindle secured with a grub screw clamps both handles together securely.
- Available with blank or cylinder combination of face plate.
- Taylors Spindle available to fix the handle in a horizontal or vertical position.
- Bolt through fixings for security.
- Complimentary window furniture available for suited look.
- Available in several finishes or matching RAL finishes on request





STEEL WINDOW FITTINGS

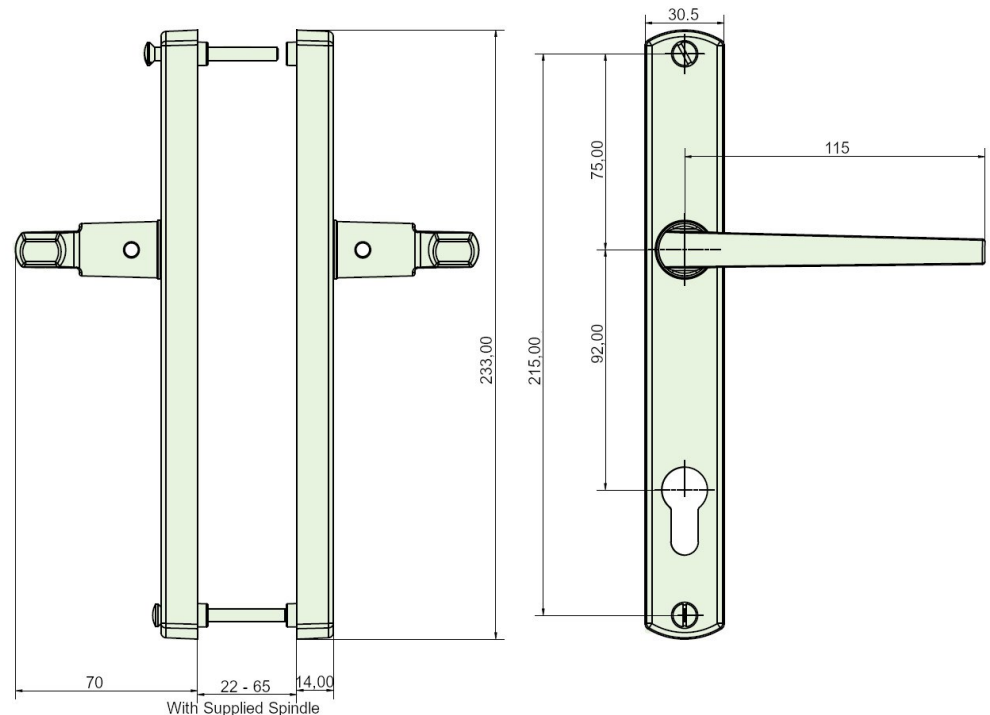
B870LONG Lever Door Handle



B870LONGCYBL

PRODUCT FEATURES & TECHNICAL INFORMATION

- An elegant 'Lever-Lever' door handle with 92mm centre.
- Available on our full range of backplates to elevate your property.
- 4 independent springs ensures correct horizontal position of lever and a 8mm spindle secured with a grub screw clamps both handles together securely.
- Available with blank or cylinder combination of face plate.
- Taylors Spindle available to fix the handle in a horizontal or vertical position.
- Bolt through fixings for security.
- Complimentary window furniture available for suited look.
- Available in several finishes or matching RAL finishes on request



Dimensions



STEEL WINDOW FITTINGS

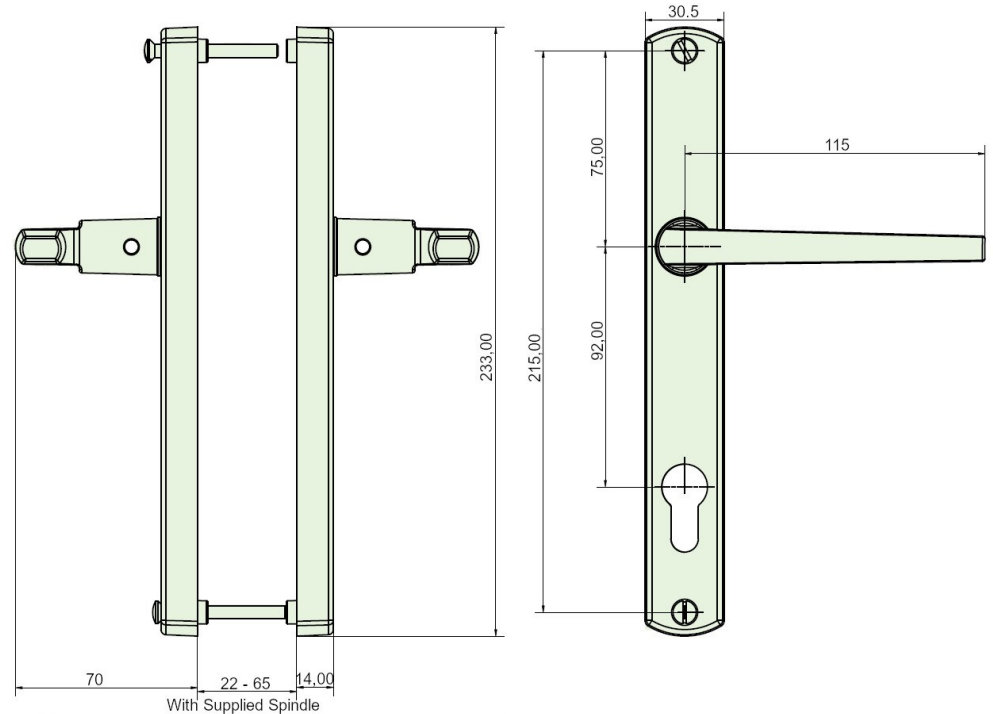
B870LONG Lever Door Handle



B870LONGCY

PRODUCT FEATURES & TECHNICAL INFORMATION

- An elegant 'Lever-Lever' door handle with 92mm centre.
- Available on our full range of backplates to elevate your property.
- 4 independent springs ensures correct horizontal position of lever and a 8mm spindle secured with a grub screw clamps both handles together securely.
- Available with blank or cylinder combination of face plate.
- Taylors Spindle available to fix the handle in a horizontal or vertical position.
- Bolt through fixings for security.
- Complimentary window furniture available for suited look.
- Available in several finishes or matching RAL finishes on request



Dimensions

The logo for 'swf' is displayed in a stylized, lowercase font within a light green square frame.

STEEL WINDOW FITTINGS

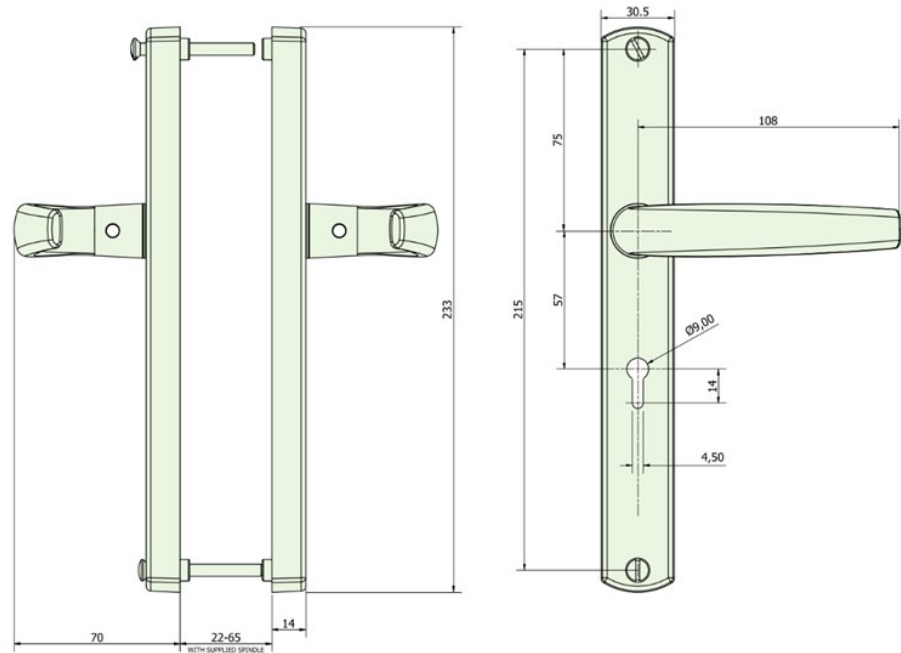
B870LONGML Lever Door Handle



B870LONGML

PRODUCT FEATURES & TECHNICAL INFORMATION

- An elegant 'Lever-Lever' door handle with 57mm centre.
- Available on our full range of backplates to elevate your property.
- 4 independent springs ensures correct horizontal position of lever and a 8mm spindle secured with a grub screw clamps both handles together firmly.
- Complete with a mortice keyhole configuration
- Taylors Spindle available to fix the handle in a horizontal or vertical position.
- Bolt through fixings for security.
- Complimentary window furniture available for suited look.
- Available in several finishes or matching RAL finishes on request



Dimensions

swf

STEEL WINDOW FITTINGS

1040

Door Handles

A truly classic design that enhances heritage properties.

Find Matching Escutcheons on page 52.



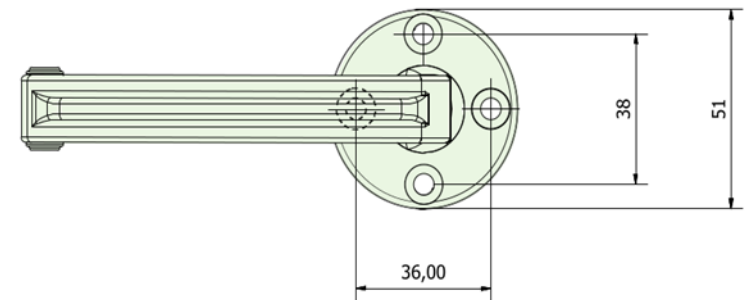
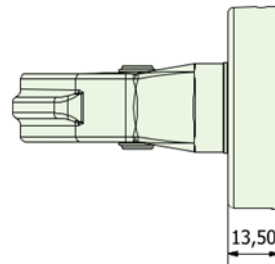
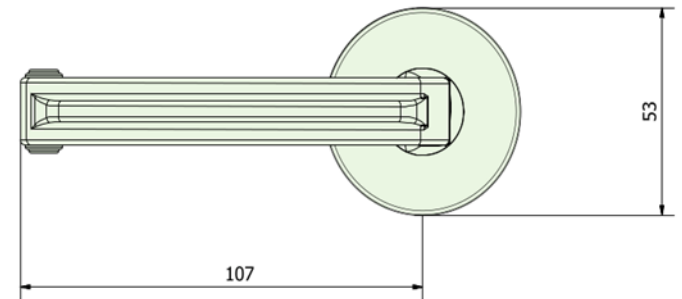
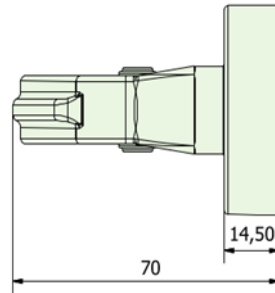




PRODUCT FEATURES & TECHNICAL INFORMATION

- An elegant 'Lever-Lever' door handle with finish matching backplate covers that conceal the fixing screws and backplate.
- 4 independent springs ensures correct horizontal position of lever and a 8mm spindle secured with a grub screw clamps both handles together securely.
- B851ROSE Euro Cylinder or B852ROSE Key escutcheons available enabling a wide range of applications to include multipoint, traditional external locks & internal latches.
- Available on our full range of backplates to elevate your property.
- Available in several finishes or matching RAL finish on request. M5 fixing holes.
- Taylors Spindle available to fix the handle in a horizontal or vertical position.
- Complimentary window furniture available for suited look.

B1040ROSE Lever Door Handle



B1040ROSE

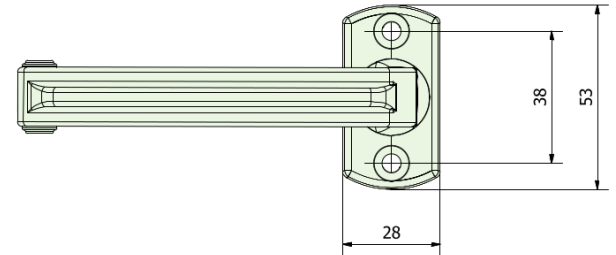
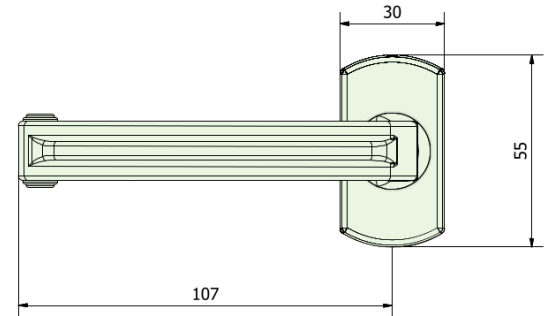
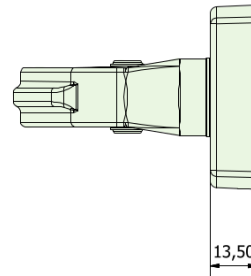
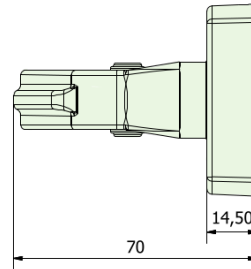
Dimensions



PRODUCT FEATURES & TECHNICAL INFORMATION

- An elegant 'Lever-Lever' door handle with finish matching backplate covers that conceal the fixing screws and backplate.
- 4 independent springs ensures correct horizontal position of lever and a 8mm spindle secured with a grub screw clamps both handles together securely.
- B851 Euro Cylinder or B852 Key escutcheons available enabling a wide range of applications to include multipoint, traditional external locks & internal latches.
- Available on our full range of backplates to elevate your property.
- Available in several finishes or matching RAL finish on request. M5 fixing holes.
- Taylors Spindle available to fix the handle in a horizontal or vertical position.
- Complimentary window furniture available for suited look.

B1040 Lever Door Handle



B1040 Oblong

Dimensions

The logo consists of the lowercase letters 'swf' in a bold, sans-serif font, enclosed within a light green square frame that is slightly tilted.

STEEL WINDOW FITTINGS

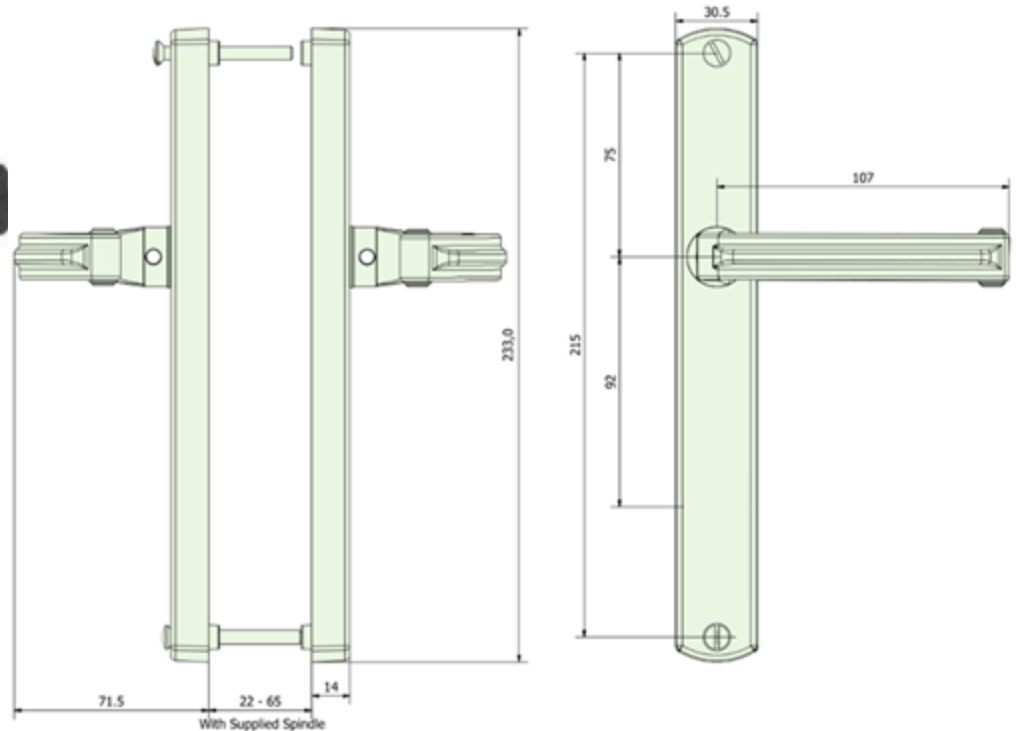
B1040LONG Lever Door Handle



1040LONGBL

PRODUCT FEATURES & TECHNICAL INFORMATION

- An elegant 'Lever-Lever' door handle with 92mm centre.
- Available on our full range of backplates to elevate your property.
- 4 independent springs ensures correct horizontal position of lever and a 8mm spindle secured with a grub screw clamps both handles together firmly.
- Available with blank, cylinder or mortice combination of face plate.
- Taylors Spindle available to fix the handle in a horizontal or vertical position.
- Bolt through fixings for security.
- Complimentary window furniture available for suited look.
- Available in several finishes or matching RAL finishes on request





STEEL WINDOW FITTINGS

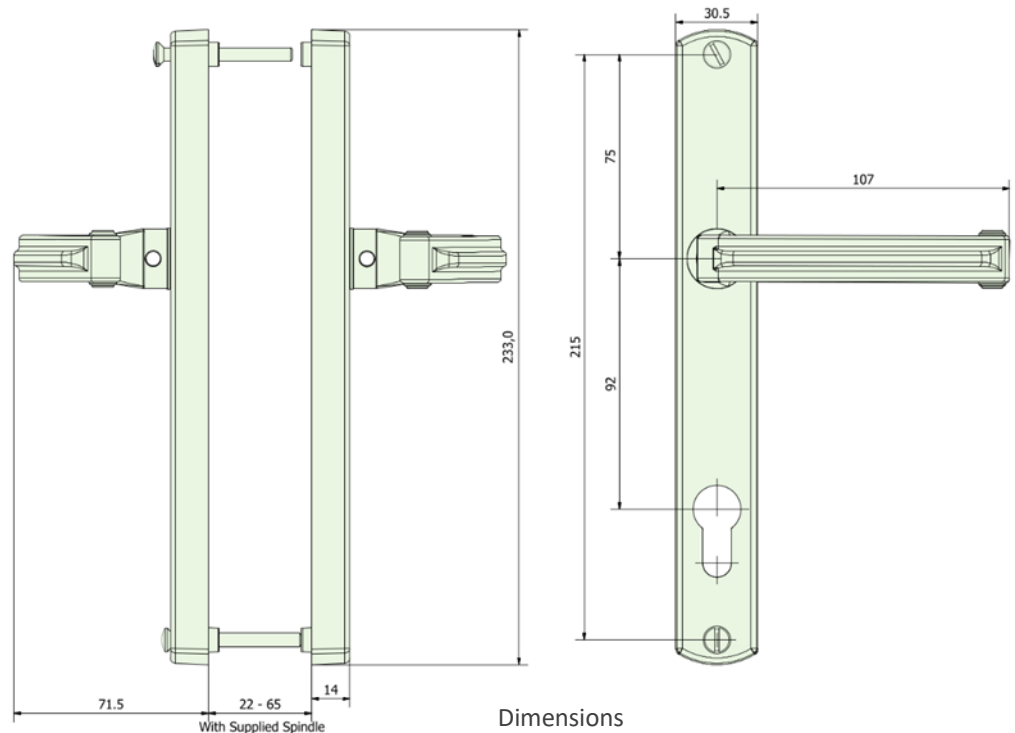
B1040LONG Lever Door Handle



1040LONGCYBL

PRODUCT FEATURES & TECHNICAL INFORMATION

- An elegant 'Lever-Lever' door handle with 92mm centre.
- Available on our full range of backplates to elevate your property.
- 4 independent springs ensures correct horizontal position of lever and a 8mm spindle secured with a grub screw clamps both handles together firmly.
- Available with blank, cylinder or mortice combination of face plate.
- Taylors Spindle available to fix the handle in a horizontal or vertical position.
- Bolt through fixings for security.
- Complimentary window furniture available for suited look.
- Available in several finishes or matching RAL finishes on request





STEEL WINDOW FITTINGS

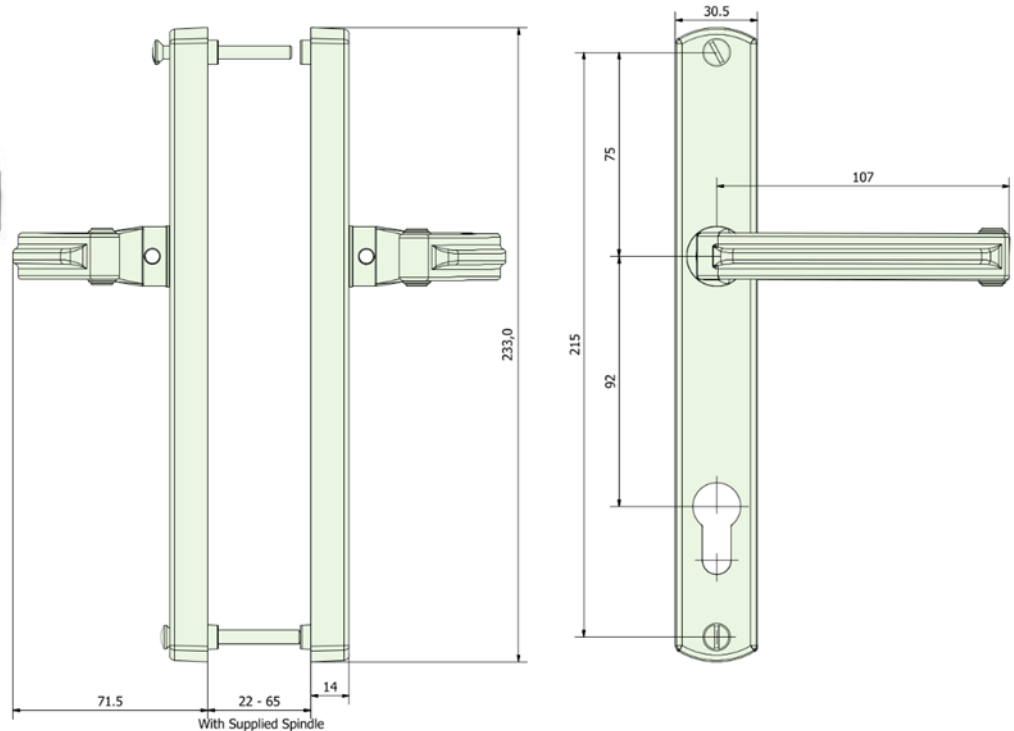
B1040LONG Lever Door Handle



1040LONGCY

PRODUCT FEATURES & TECHNICAL INFORMATION

- An elegant 'Lever-Lever' door handle with 92mm centre.
- Available on our full range of backplates to elevate your property.
- 4 independent springs ensures correct horizontal position of lever and a 8mm spindle secured with a grub screw clamps both handles together firmly.
- Available with blank, cylinder or mortice combination of face plate.
- Taylors Spindle available to fix the handle in a horizontal or vertical position.
- Bolt through fixings for security.
- Complimentary window furniture available for suited look.
- Available in several finishes or matching RAL finishes on request



Dimensions



STEEL WINDOW FITTINGS

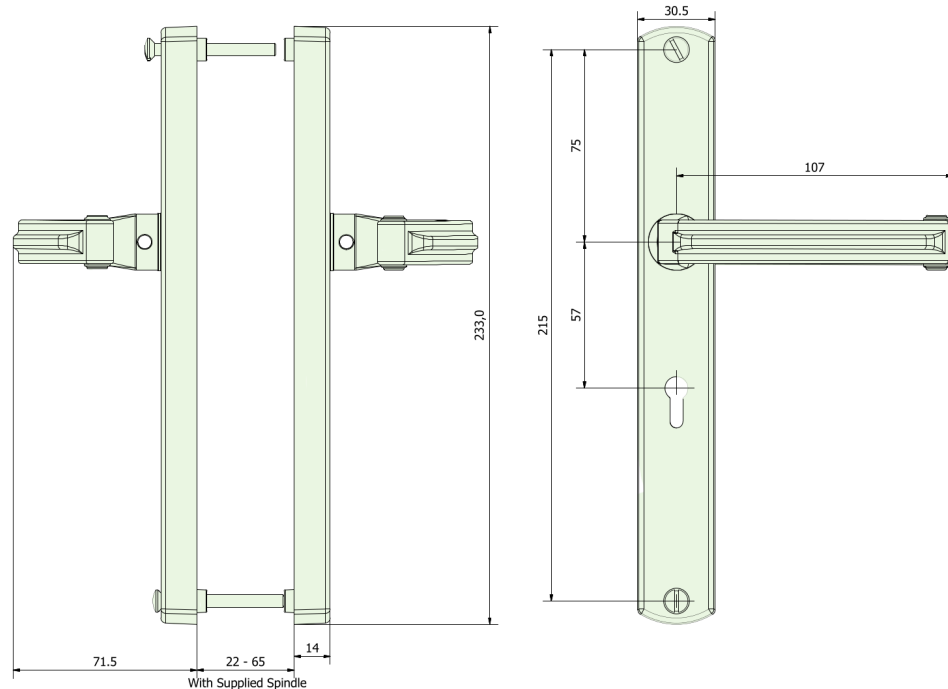
PRODUCT FEATURES & TECHNICAL INFORMATION

- An elegant 'Lever-Lever' door handle with 57mm centre.
- Available on our full range of backplates to elevate your property.
- 4 independent springs ensures correct horizontal position of lever and a 8mm spindle secured with a grub screw clamps both handles together firmly.
- Complete with a mortice keyhole configuration
- Taylors Spindle available to fix the handle in a horizontal or vertical position.
- Bolt through fixings for security.
- Complimentary window furniture available for suited look.
- Available in several finishes or matching RAL finishes on request

B1040LONGML Lever Door Handle



1040LONGML



Dimensions

swf

STEEL WINDOW FITTINGS

1080

Door Handles

A minimal handle that draws inspiration from the iconic style of the 1920s.

Find Matching Escutcheons on page 52.



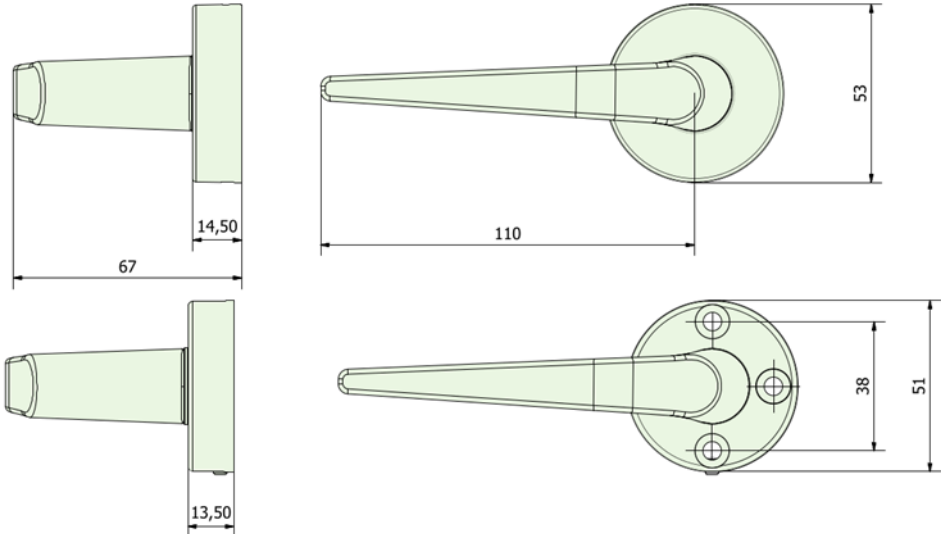




PRODUCT FEATURES & TECHNICAL INFORMATION

- An elegant 'Lever-Lever' door handle with finish matching backplate covers that conceal the fixing screws and backplate.
- 4 independent springs ensures correct horizontal position of lever and a 8mm spindle secured with a grub screw clamps both handles together securely.
- B851ROSE Euro Cylinder or B852ROSE Key escutcheons available enabling a wide range of applications to include multipoint, traditional external locks & internal latches.
- Available on our full range of backplates to elevate your property.
- Available in several finishes or matching RAL finish on request. M5 fixing holes.
- Taylors Spindle available to fix the handle in a horizontal or vertical position.
- Complimentary window furniture available for suited look.

B1080ROSE Lever Door Handle



B1080ROSE

Dimensions



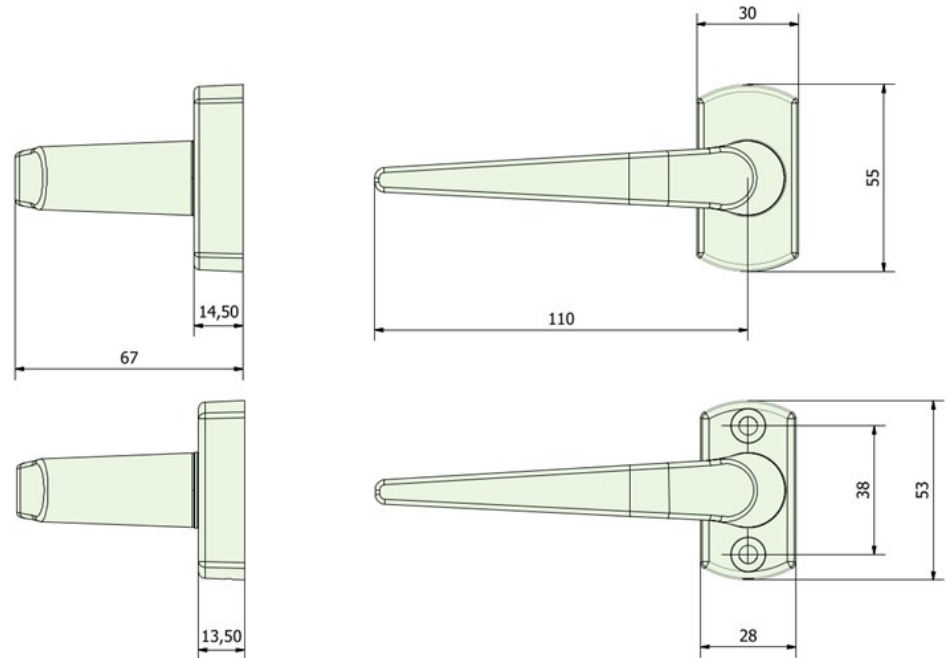
PRODUCT FEATURES & TECHNICAL INFORMATION

- An elegant 'Lever-Lever' door handle with finish matching backplate covers that conceal the fixing screws and backplate.
- 4 independent springs ensures correct horizontal position of lever and a 8mm spindle secured with a grub screw clamps both handles together securely.
- B851 Euro Cylinder or B852 Key escutcheons available enabling a wide range of applications to include multipoint, traditional external locks & internal latches.
- Available on our full range of backplates to elevate your property.
- Available in several finishes or matching RAL finish on request. M5 fixing holes.
- Taylors Spindle available to fix the handle in a horizontal or vertical position.
- Complimentary window furniture available for suited look.

B1080 Lever Door Handle



B1080 Oblong



Dimensions

The logo consists of the lowercase letters 'swf' in a bold, sans-serif font, enclosed within a light green square frame that is slightly tilted.

STEEL WINDOW FITTINGS

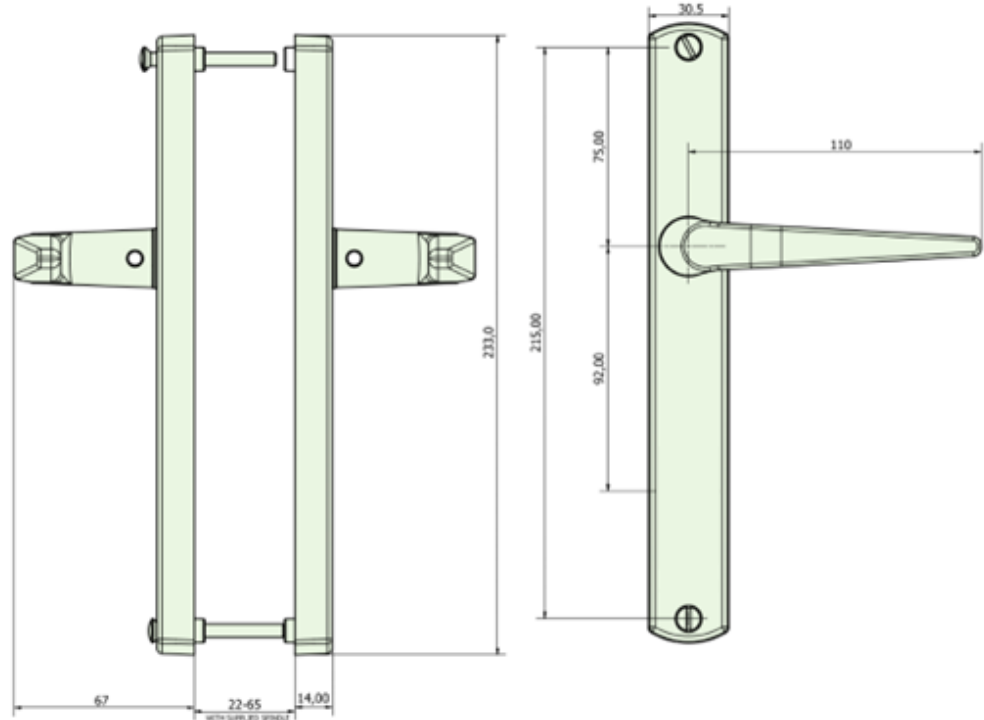
B1080LONG Lever Door Handle



1080LONGBL

PRODUCT FEATURES & TECHNICAL INFORMATION

- An elegant 'Lever-Lever' door handle with 92mm centre.
- Available on our full range of backplates to elevate your property.
- 4 independent springs ensures correct horizontal position of lever and a 8mm spindle secured with a grub screw clamps both handles together firmly.
- Available with blank, cylinder or mortice combination of face plate.
- Taylors Spindle available to fix the handle in a horizontal or vertical position.
- Bolt through fixings for security.
- Complimentary window furniture available for suited look.
- Available in several finishes or matching RAL finishes on request



Dimensions



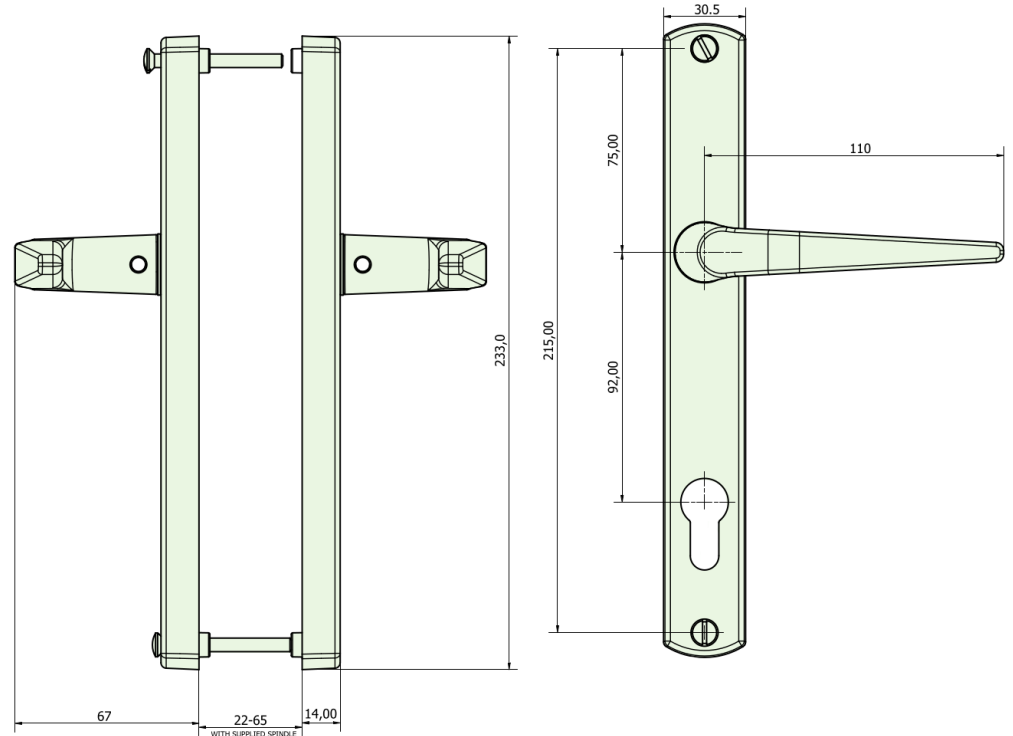
PRODUCT FEATURES & TECHNICAL INFORMATION

- An elegant 'Lever-Lever' door handle with 92mm centre.
- Available on our full range of backplates to elevate your property.
- 4 independent springs ensures correct horizontal position of lever and a 8mm spindle secured with a grub screw clamps both handles together firmly.
- Available with blank, cylinder or mortice combination of face plate.
- Taylors Spindle available to fix the handle in a horizontal or vertical position.
- Bolt through fixings for security.
- Complimentary window furniture available for suited look.
- Available in several finishes or matching RAL finishes on request

B1080LONG Lever Door Handle



1080LONGCYBL



Dimensions



STEEL WINDOW FITTINGS

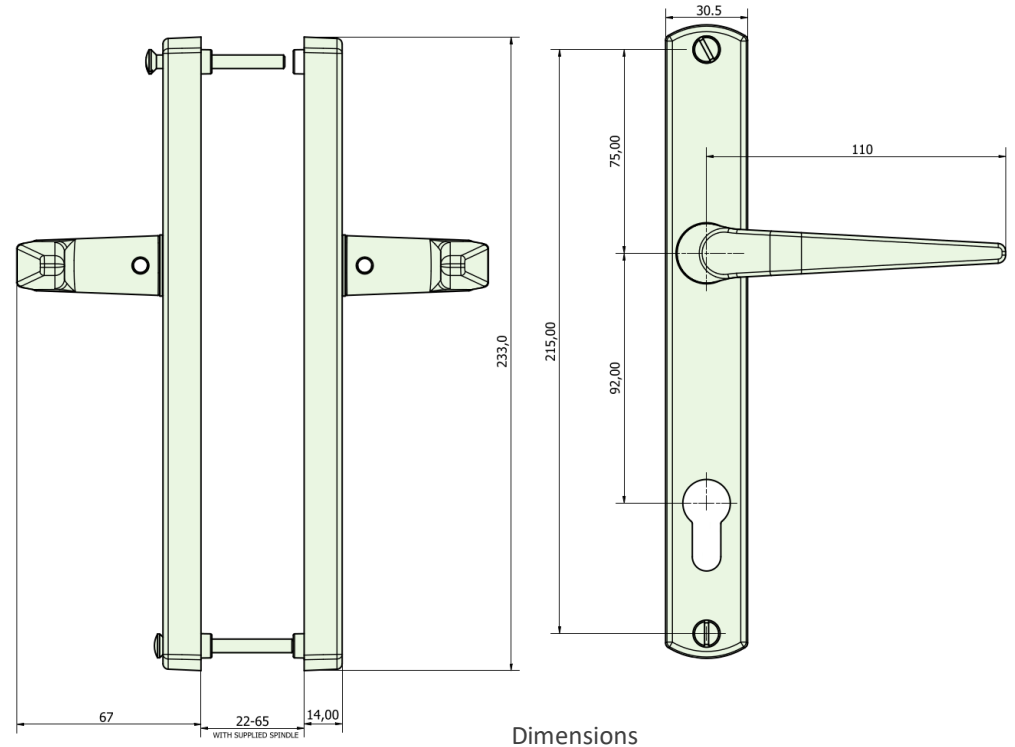
B1080LONG Lever Door Handle



1080LONGCY

PRODUCT FEATURES & TECHNICAL INFORMATION

- An elegant 'Lever-Lever' door handle with 92mm centre.
- Available on our full range of backplates to elevate your property.
- 4 independent springs ensures correct horizontal position of lever and a 8mm spindle secured with a grub screw clamps both handles together firmly.
- Available with blank, cylinder or mortice combination of face plate.
- Taylors Spindle available to fix the handle in a horizontal or vertical position.
- Bolt through fixings for security.
- Complimentary window furniture available for suited look.
- Available in several finishes or matching RAL finishes on request





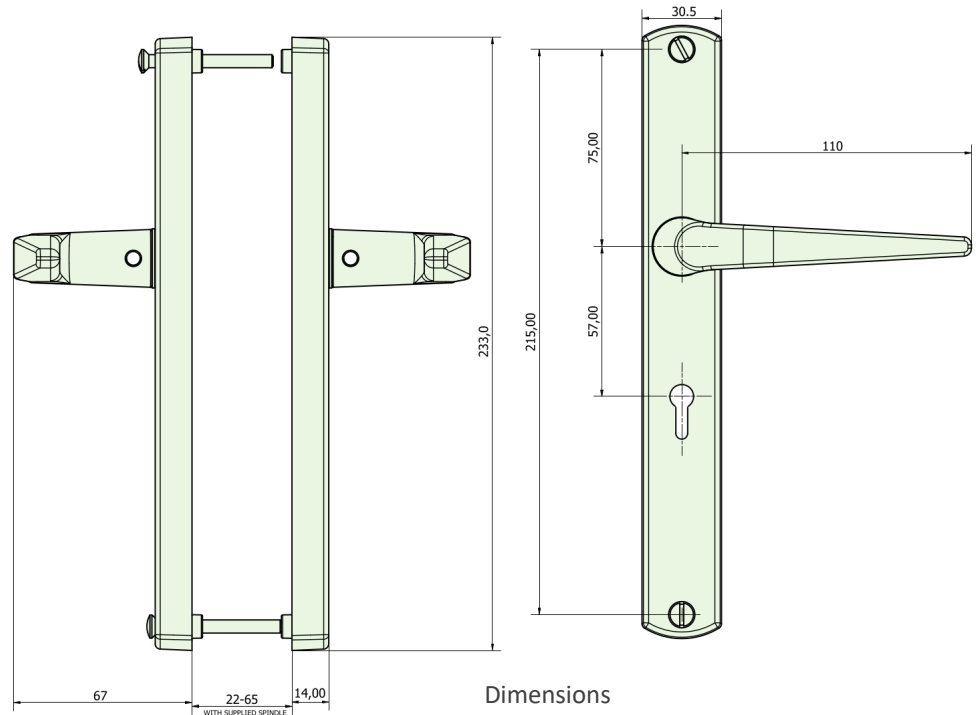
PRODUCT FEATURES & TECHNICAL INFORMATION

- An elegant 'Lever-Lever' door handle with 57mm centre.
- Available on our full range of backplates to elevate your property.
- 4 independent springs ensures correct horizontal position of lever and a 8mm spindle secured with a grub screw clamps both handles together firmly.
- Complete with a mortice keyhole configuration
- Taylors Spindle available to fix the handle in a horizontal or vertical position.
- Bolt through fixings for security.
- Complimentary window furniture available for suited look.
- Available in several finishes or matching RAL finishes on request

B1080LONGML Lever Door Handle



1080LONGML



swf

STEEL WINDOW FITTINGS

1090

Door Handles

The 1090 is an elegantly ornate handle that suits with heritage architecture.

Find Matching Escutcheons on page 46.







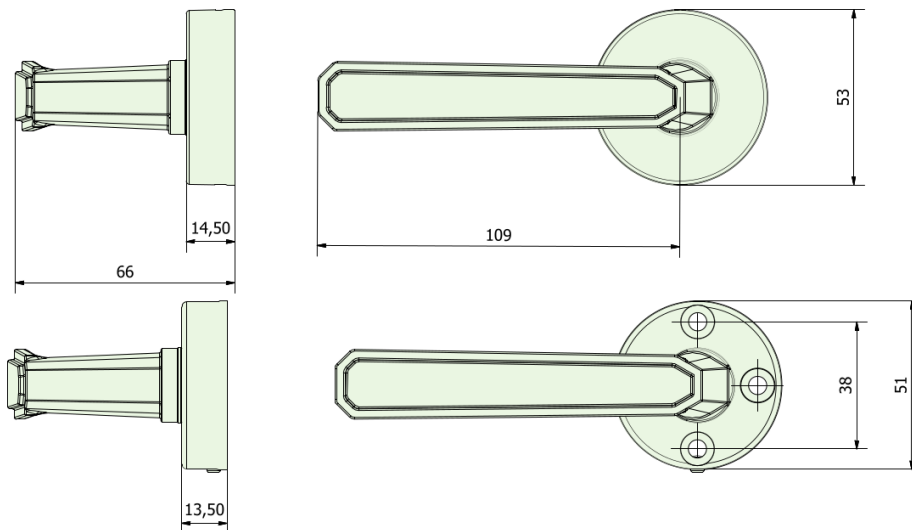
B1090ROSE Lever Door Handle



B1080ROSE

PRODUCT FEATURES & TECHNICAL INFORMATION

- An elegant 'Lever-Lever' door handle with finish matching backplate covers that conceal the fixing screws and backplate.
- 4 independent springs ensures correct horizontal position of lever and a 8mm spindle secured with a grub screw clamps both handles together securely.
- B851ROSE Euro Cylinder or B852ROSE Key escutcheons available enabling a wide range of applications to include multipoint, traditional external locks & internal latches.
- Available on our full range of backplates to elevate your property.
- Available in several finishes or matching RAL finish on request. M5 fixing holes.
- Taylors Spindle available to fix the handle in a horizontal or vertical position.
- Complimentary window furniture available for suited look.



Dimensions



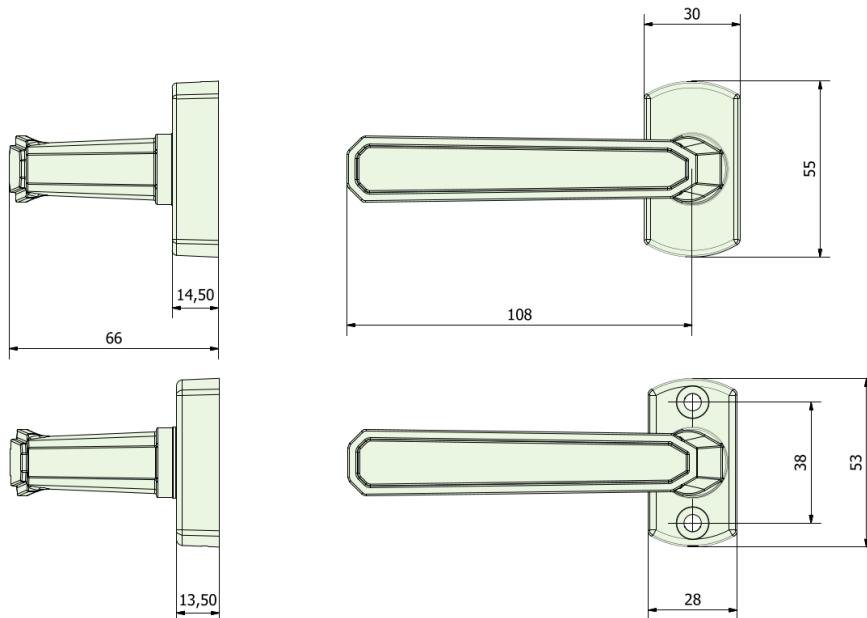
B1090 Lever Door Handle



B1080 Oblong

PRODUCT FEATURES & TECHNICAL INFORMATION

- An elegant 'Lever-Lever' door handle with finish matching backplate covers that conceal the fixing screws and backplate.
- 4 independent springs ensures correct horizontal position of lever and a 8mm spindle secured with a grub screw clamps both handles together securely.
- B851 Euro Cylinder or B852 Key escutcheons available enabling a wide range of applications to include multipoint, traditional external locks & internal latches.
- Available on our full range of backplates to elevate your property.
- Available in several finishes or matching RAL finish on request. M5 fixing holes.
- Taylors Spindle available to fix the handle in a horizontal or vertical position.
- Complimentary window furniture available for suited look.



Dimensions

The logo consists of the lowercase letters 'swf' in a bold, sans-serif font, enclosed within a light green square frame that is slightly tilted.

STEEL WINDOW FITTINGS

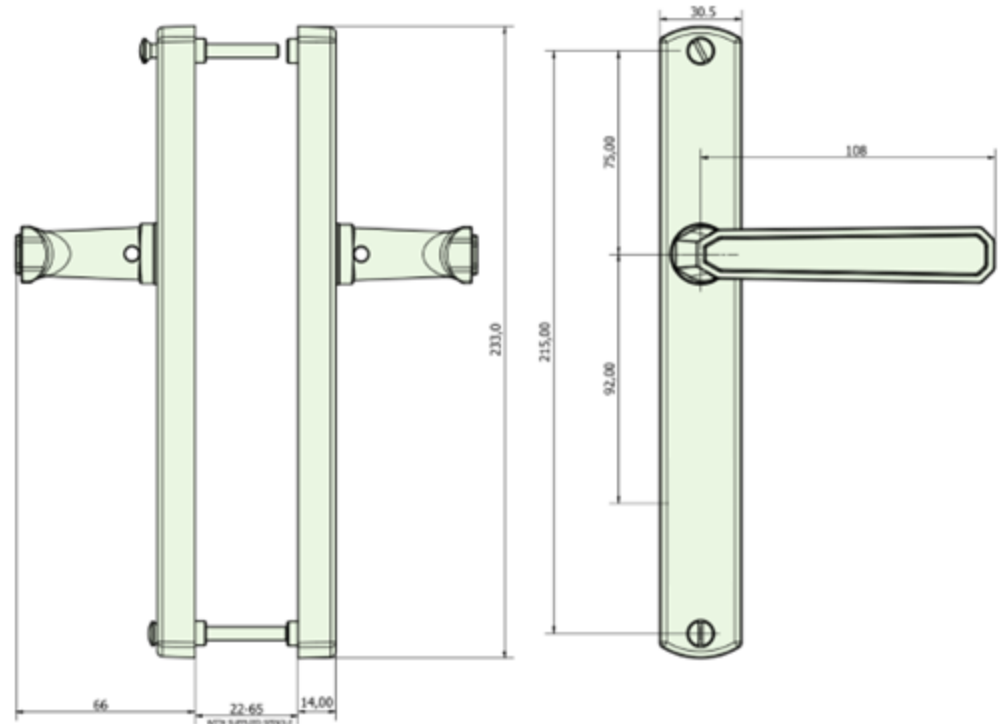
B1090LONG Lever Door Handle



1090LONGBL

PRODUCT FEATURES & TECHNICAL INFORMATION

- An elegant 'Lever-Lever' door handle with 92mm centre.
- Available on our full range of backplates to elevate your property.
- 4 independent springs ensures correct horizontal position of lever and a 8mm spindle secured with a grub screw clamps both handles together firmly.
- Available with blank, cylinder or mortice combination of face plate.
- Taylors Spindle available to fix the handle in a horizontal or vertical position.
- Bolt through fixings for security.
- Complimentary window furniture available for suited look.
- Available in several finishes or matching RAL finishes on request



Dimensions



STEEL WINDOW FITTINGS

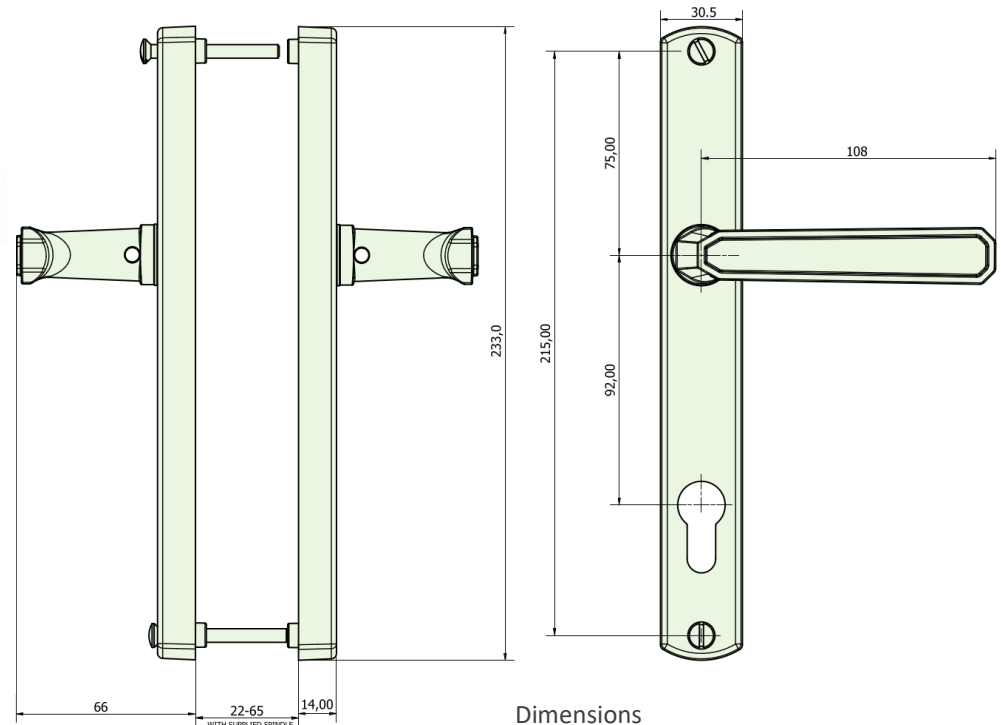
B1090LONGML Lever Door Handle



1090LONGCYBL

PRODUCT FEATURES & TECHNICAL INFORMATION

- An elegant 'Lever-Lever' door handle with 57mm centre.
- Available on our full range of backplates to elevate your property.
- 4 independent springs ensures correct horizontal position of lever and a 8mm spindle secured with a grub screw clamps both handles together firmly.
- Complete with a mortice keyhole configuration
- Taylors Spindle available to fix the handle in a horizontal or vertical position.
- Bolt through fixings for security.
- Complimentary window furniture available for suited look.
- Available in several finishes or matching RAL finishes on request





STEEL WINDOW FITTINGS

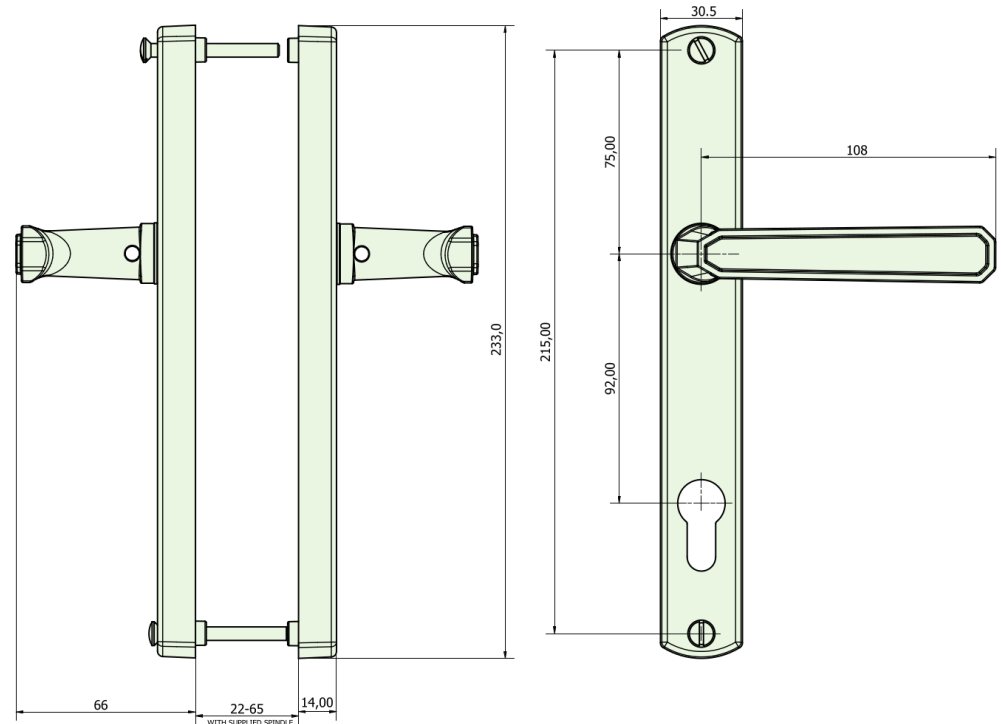
B1090LONG Lever Door Handle



1090LONGCY

PRODUCT FEATURES & TECHNICAL INFORMATION

- An elegant 'Lever-Lever' door handle with 92mm centre.
- Available on our full range of backplates to elevate your property.
- 4 independent springs ensures correct horizontal position of lever and a 8mm spindle secured with a grub screw clamps both handles together firmly.
- Available with blank, cylinder or mortice combination of face plate.
- Taylors Spindle available to fix the handle in a horizontal or vertical position.
- Bolt through fixings for security.
- Complimentary window furniture available for suited look.
- Available in several finishes or matching RAL finishes on request



Dimensions



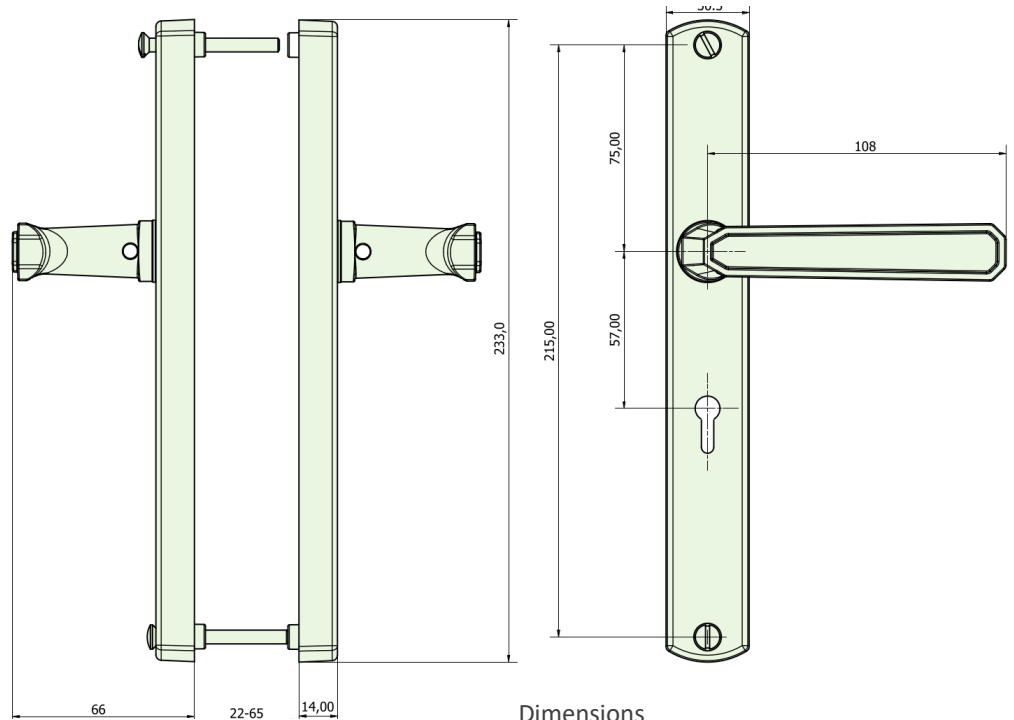
PRODUCT FEATURES & TECHNICAL INFORMATION

- An elegant 'Lever-Lever' door handle with 57mm centre.
- Available on our full range of backplates to elevate your property.
- 4 independent springs ensures correct horizontal position of lever and a 8mm spindle secured with a grub screw clamps both handles together firmly.
- Complete with a mortice keyhole configuration
- Taylors Spindle available to fix the handle in a horizontal or vertical position.
- Bolt through fixings for security.
- Complimentary window furniture available for suited look.
- Available in several finishes or matching RAL finishes on request

B1090LONGML Lever Door Handle



1090LONGML



swf

STEEL WINDOW FITTINGS

Escutcheons & Dummy Spindles

Steel Window Fittings has a range of escutcheons to match each style and finish of Rose and Oblong handle.

For the same classic look for “dummy doors” (non-moving lever) use our Taylors (also known as a dummy) spindles. These integrate with all door handles.







PRODUCT FEATURES & TECHNICAL INFORMATION

- Suites with our B850ROSE, B860ROSE and B870ROSE Door Handles.
- B851ROSE for use with a euro cylinder lock.
- B852ROSE for use with a key operated lock.
- Additional cover supplied with both escutcheons, enables you to either have screws visible for traditional appearance or concealed for contemporary look
- Suitable for M4 countersunk fixing screws.
- Available in several finishes or matching RAL finish on request.
- Complimentary window furniture available for suited look.

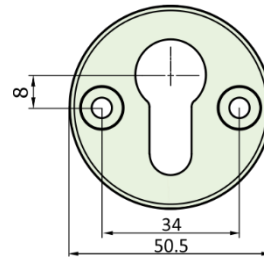
B851ROSE Escutcheon



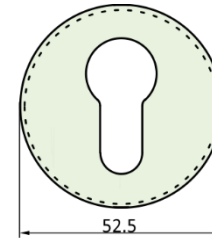
B851ROSE Euro



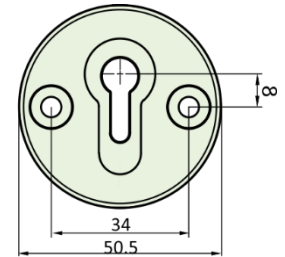
B852ROSE Key Hole



B851ROSE Dimensions



Cover Dimensions



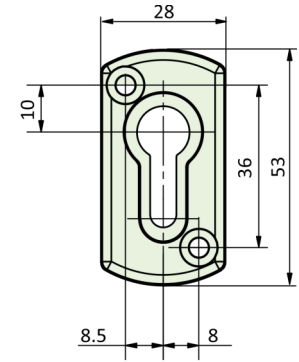
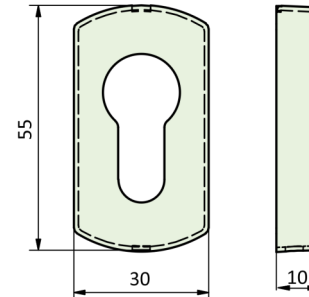
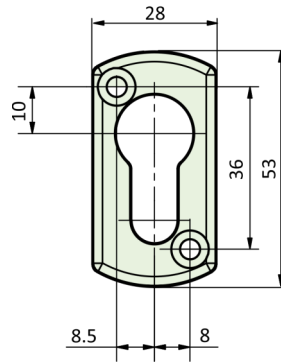
B852ROSE Dimensions



PRODUCT FEATURES & TECHNICAL INFORMATION

- Suites with our B850, B860 and B870 Door Handles.
- B851 for use with a euro cylinder lock.
- B852 for use with a key operated lock.
- Additional cover supplied with both escutcheons, enables you to either have screws visible for traditional appearance or concealed for contemporary look
- Suitable for M4 countersunk fixing screws.
- Available in several finishes or matching RAL finish on request.
- Complimentary window furniture available for suited look.

B851OBLONG Escutcheon



B851 Euro

B852 Key Hole

B851 Dimensions

Cover Dimensions

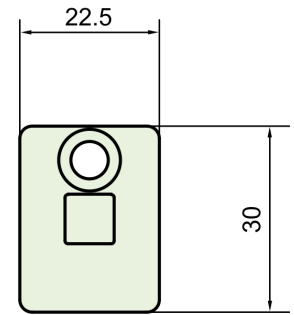
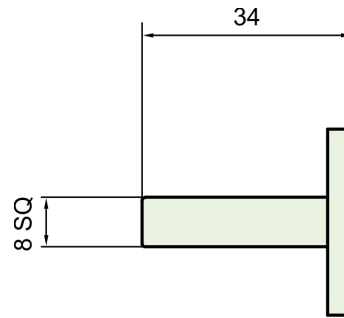
B852 Dimensions



B850DHFSYP Taylors Spindle

PRODUCT FEATURES & TECHNICAL INFORMATION

- Taylors Spindle for use with B850, B860 and B870 series of Door Handles.
- Used to fix the handle so it cannot operate in an up or down lever-lever motion and becomes fixed.
- Handle can be fixed in a horizontal or vertical position.
- Used on doors that do not require a lock or latch mechanism.
- Easy fitting.



B850DHFSYP

Dimensions

swf

STEEL WINDOW FITTINGS





Steel Window Fittings

Steel Window Fittings LTD,
Unit 5, Bridge Business Park,
Horsehay, Shropshire, TF4 3EE

Info@steelwindowfittings.com

+44 (0) 1952 794654

+44 (0) 1952 794154

steelwindowfittings.com

This Catalogue supersedes all previous issues and can be subject to change without any prior notification. With our continuous product development we reserve the right to make modifications to our products which may include but not limited to specification, dimension and configuration changes without prior notice. This Catalogue is designed to provide you with useful information and pictures as guidance to help you choose the right products for your application. Whilst every care is taken to ensure accuracy of information contained at time of publication please note error & omissions expected (E&OE)

Co. Reg No: 7614370 England

VAT Reg No: GB 114 4647 30